

# DEVICE FOR DETERMINING THE APPARENT DENSITY, VOLUME FACTOR AND DISCHARGE CAPACITY OF PLASTIC MATERIALS

## ADT-321



The device ADT-321 brand ATRYA, allows to perform the 3 methods described in the standard ASTM D 1895. According to the standard, "These test methods cover the measurement of apparent density, volume factor and, where appropriate, the pouring capacity of plastic materials such as molding powders". Test method A is equivalent to method ISO R 60 as described in the Appendix. This tester can be used in laboratory or within production lines to ensure raw material meet industry specifications.

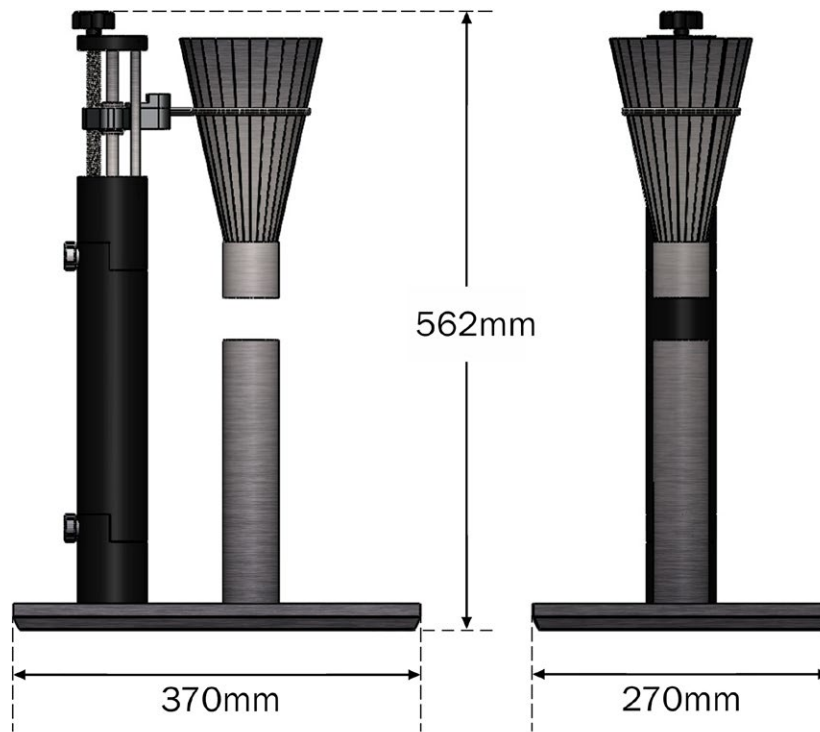
### Advantages

- Adjustable cone height with knob.
- Disassembled post base for intermittent testing between method A and method B
- Quick change of holder for different cone sizes.
- High quality materials to ensure a long life of the device in addition to being materials suitable for working in food grade environments.

### Data Sheet

<b>Test modes</b>	Method A, B and C according to ASTM D 1895 and ISO R60 and R61
<b>Dimensions (Front x Bottom x High)</b>	270 x 370 x 562 mm (10.63 x 14.57 x 22.13 in)
<b>Approximate Weight</b>	5.7 kg (12.57 lb)
<b>Maximum Dimensions of the Sample</b>	Fine powders, pellets and flakes
<b>Volume Resolution</b>	0.5 ml method A and 2 ml method B

## Overall Dimensions



## Maintenance and Care

The instrument is maintenance-free as its mobile components are made of self-lubricating materials. However, it is recommended to clean the appliance with a dry cloth to keep it free of dust and foreign agents.