

POLARISCOPE WITH LED LIGHTNING FOR BOTTLES

PL SERIES



LED LIGHTNING

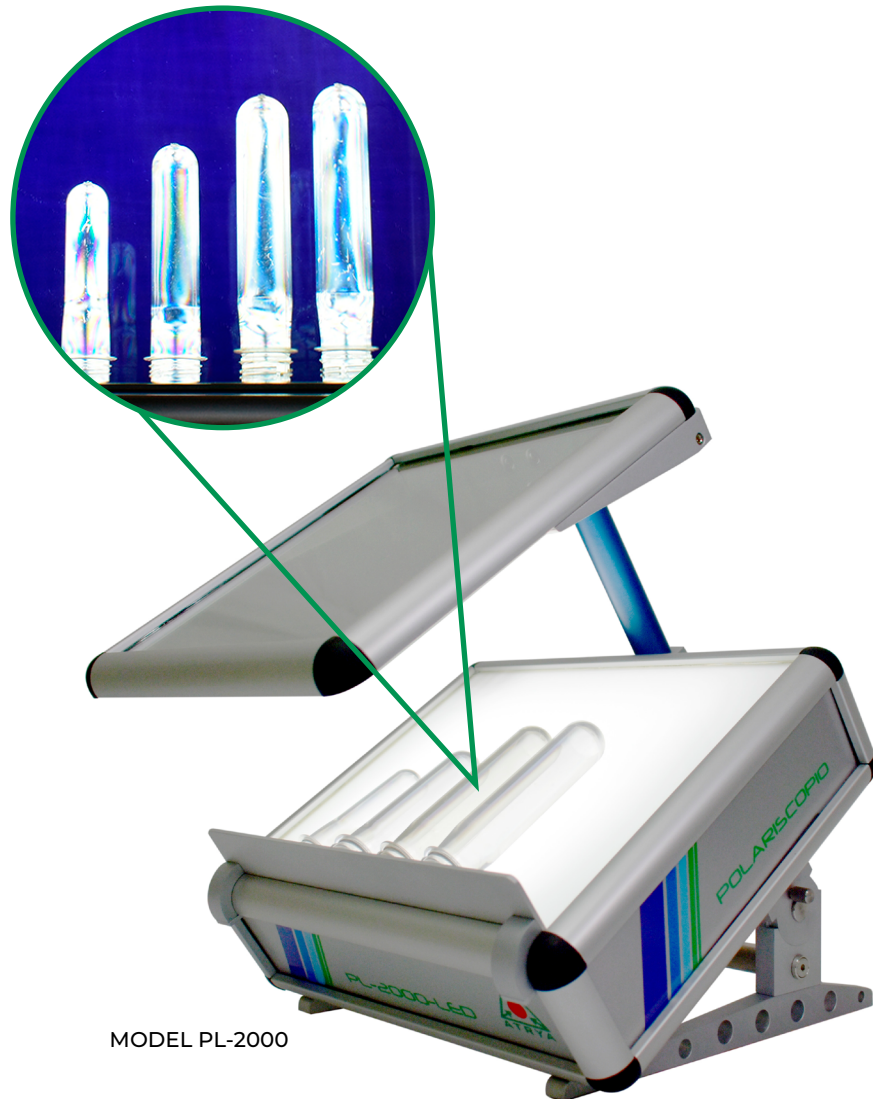
The Atrya Polariscope is a laboratory tool, allow you to detect visual defects in preforms, plastic bottles and PET containers. Works with a system of polarized light, made of structural aluminous, that can be used to identify and evaluate residual strain in annealed containers.

It uses LED technology to illuminate getting better intensity and contrast, life of approximately 50,000hrs of continuous use. Has holder to place the bottles or hold them, viewing angle adjustable.

ADVANTAGES

The samples under Polarized Light LED show colors that reflect defects such as:

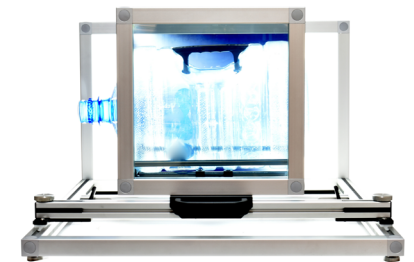
- Thermal Degradation.
- Crystallinity.
- Insufficient cooling in the mold.
- Inadequate drying.
- Bubbles.
- Condensation.
- High contraction.
- Knocking y pollution.
- Injection incomplete



MODEL PL-2000



MODEL PL-4000



MODEL PL-5000

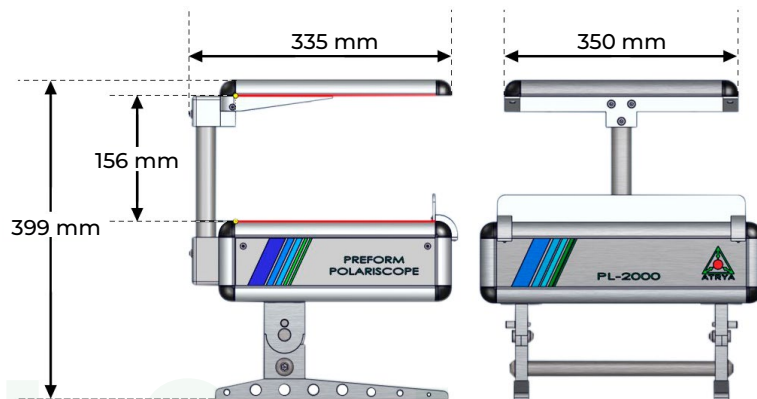
PL Series

TECHNICAL DATA

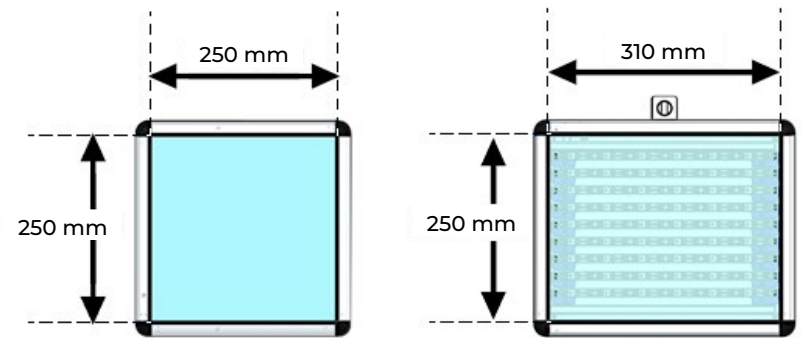
Model	PL-2000	PL-4000
Ideal for samples	Preforms	Preforms/bottles
Voltage	127-220 VCA / 50-60 Hz	
Current	3.2 A / 38 W	
External Dimensions	350 x 335 x 399 mm (13.78 x 13.19 x 15.71 in)	560 x 410 x 445 mm (22.05 x 16.14 x 17.52 in)
Top viewer dimensions	250 x 250 mm (9.84 x 9.84W in)	320 x 420 mm (12.60 x 16.54 in)
Lower viewer dimensions	310 x 250 mm (12.20 x 9.84 in)	320 x 520 mm (12.60 x 20.47 in)
Distance between polarizers	170 mm (6.69 in) 170 mm (6.69 in)	
Test mode	Polarized light with 90° orientation	
Working angles	90° - 60°	
Approximate weight	9 KG (19.84 lb)	15.5 KG (34.17 lb)

OVERALL DIMENSIONS

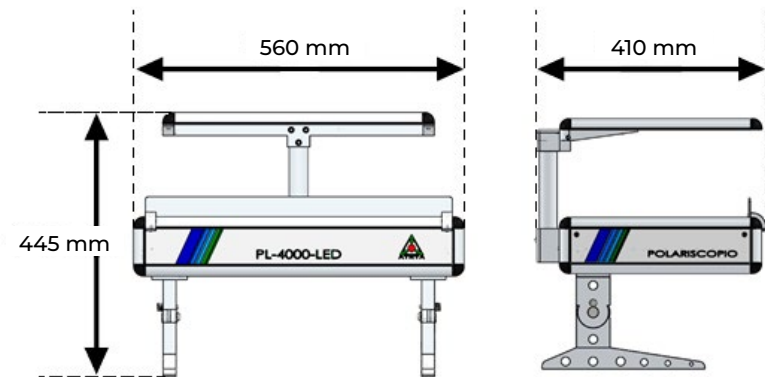
OVERALL DIMENSIONS PL-2000



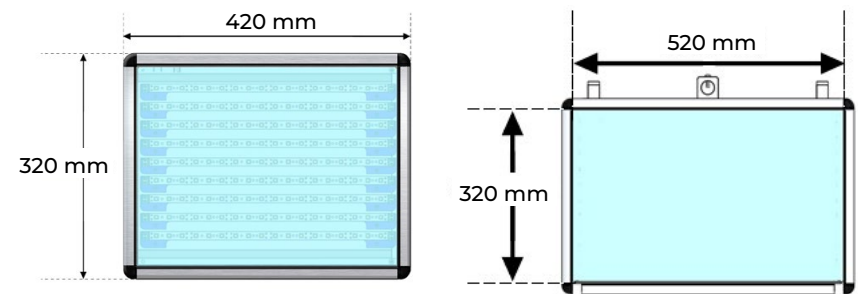
POLARIZATION AREA PL-2000



OVERALL DIMENSIONS PL-4000



POLARIZATION AREA PL-4000



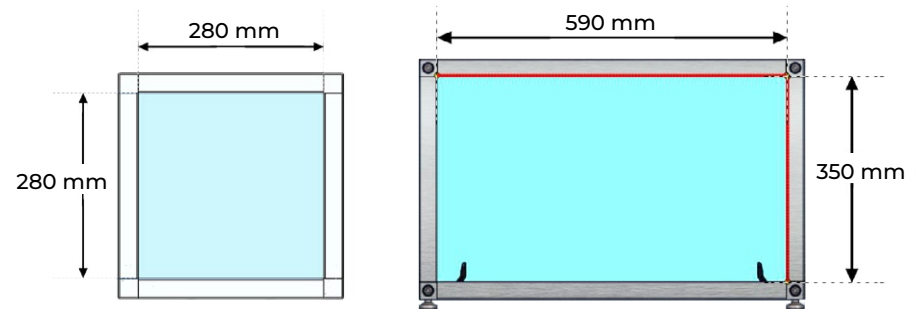
PL Series

TECHNICAL DATA

Model	PL-5000
Ideal for samples	Carboy
Voltage	127-220 VCA / 50-60 Hz
Current	3.2 A / 38 W
External Dimensions	805 x 660 x 440 mm (31.69 x 25.98 x 17.32 in)
Polarizer area	590 x 350 mm (23.23 x 13.78 in)
Analyzer area	280 x 265 mm (11.02 x 10.43 in)
Test mode	Polarized light with 90° orientation
Approximate weight	20.6 KG (45.42 lb)
Maximum sample diameter	Ø 320 mm (12.60 in)

OVERALL DIMENSIONS

PL-5000 POLARIZATION AREA

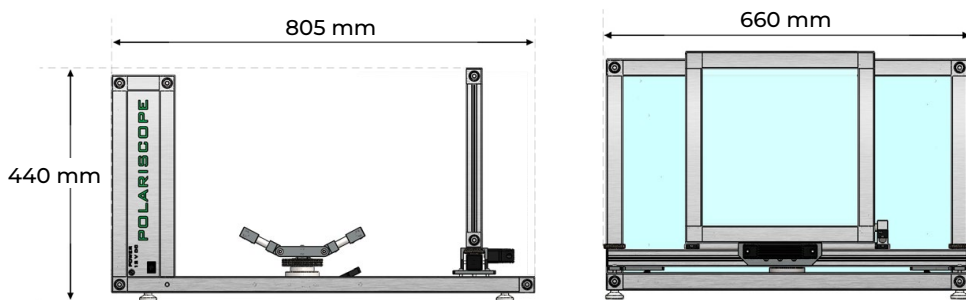


Rotating holder
PL-5000

Due to its **wide visual fields**, this new model allows you to analyze the entire part, thanks to its **rotating holder**, it will allow you easily rotate the samples to analyze every detail.

OVERALL DIMENSIONS

OVERALL DIMENSIONS PL-5000



ATRYA PLAST S.A. DE C.V.



Av. Río Consulado No. 2614,
San Juan de Aragón 1a Secc.
C.P. 07969, CDMX, México.

atrya.com.mx

PL Series

Matrix Ciudad de México
(+52) 55 2603 7450
ventas@atrya.com.mx

Monterrey, México
(+52) 81 2235 9264
ventas@atrya.com.mx

Guadalajara, México
(+52) 33 1543 3419
ventas@atrya.com.mx